

CHAPTER

44

CABIN SYSTEMS

CESSNA®
MODEL 208
ILLUSTRATED PARTS CATALOG

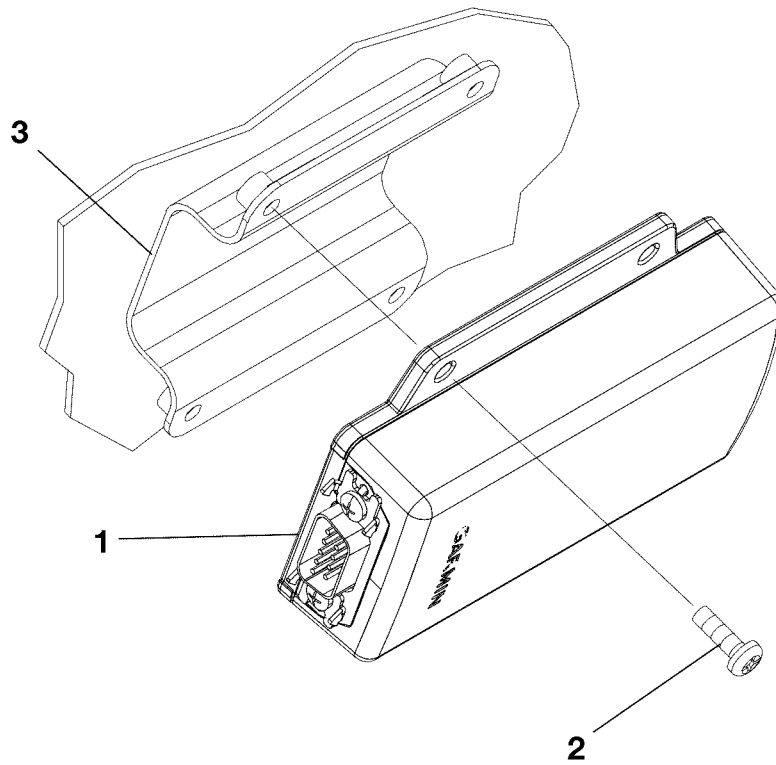
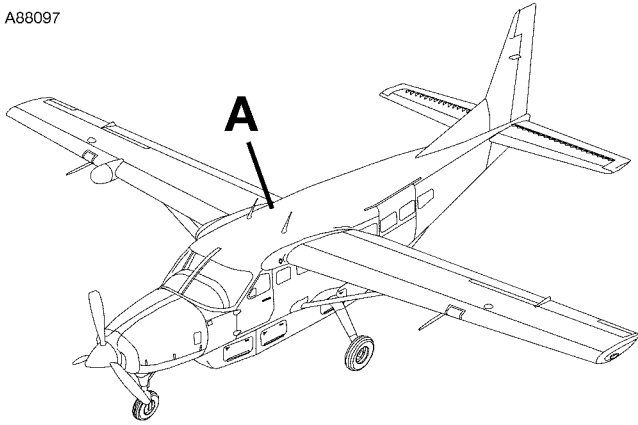
<u>CHAPTER SECTION SUBJECT</u>		<u>NUMBER OF PAGES</u>	<u>DATE</u>
44 - TITLE			
44 - LIST OF EFFECTIVE PAGES			
44 - RECORD OF TEMPORARY REVISIONS			
44 - TABLE OF CONTENTS			
44-20-00	Figure 01	2	Sep 1/2016
44-20-00	Figure 01A	2	Sep 1/2016
44-20-00	Figure 02	2	Sep 1/2016

CESSNA®
MODEL 208
 ILLUSTRATED PARTS CATALOG

<u>SUBJECT</u>	<u>CHAPTER SECTION SUBJECT</u>	<u>FIGURE</u>	<u>EFFECTIVITY</u>	
			<u>START</u>	<u>END</u>
GRT10 XM RADIO TRANSCEIVER INSTALLATION	44-20-00	01	B5000	B5400
GRT10 XM RADIO TRANSCEIVER INSTALLATION	44-20-00	01A	0565	0600
GRC10 XM WIRELESS REMOTE	44-20-00	02	0565	0600
			B5000	B5400

CESSNA®
MODEL 208
ILLUSTRATED PARTS CATALOG

A88097



DETAIL A

GRT10 XM RADIO TRANSCEIVER INSTALLATION
FIGURE 01 (SHEET 1)

2610T7004
A2614T1475

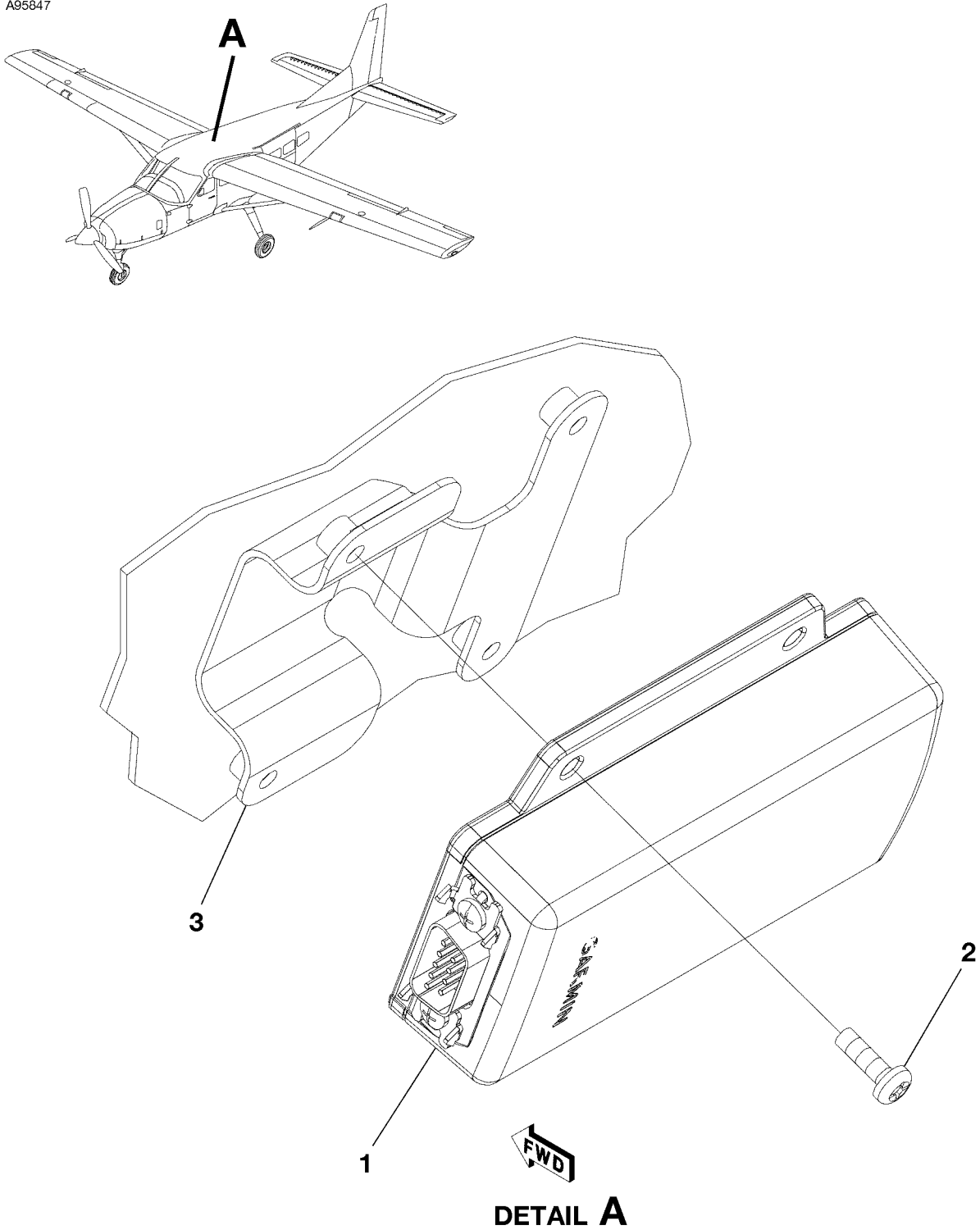
CESSNA®
MODEL 208
 ILLUSTRATED PARTS CATALOG

FIG ITEM	PART NUMBER	NOMENCLATURE	UNITS		
			PER	ASSY	
01					
-		GRT10 XM RADIO TRANSCEIVER INSTALLATION	B5000	B5400	RF R
1	011-01557-00	. RECEIVER-GRT10 XM REMOTE V0TRC3			01 R
		ATTACHING PARTS			
2	MS35206-229	. SCREW			04
		—*—			
3	3930391-2	. BRACKET ASSY			01

- ITEM NOT ILLUSTRATED

CESSNA®
MODEL 208
ILLUSTRATED PARTS CATALOG

A95847



26107002
A3930397-1

GRT10 XM RADIO TRANSCEIVER INSTALLATION
FIGURE 01A (SHEET 1)

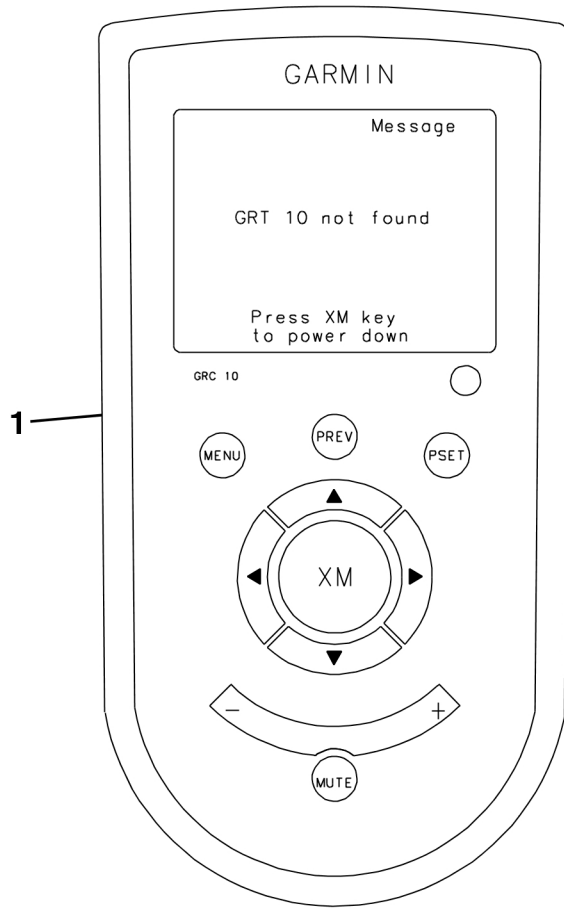
CESSNA®
MODEL 208
 ILLUSTRATED PARTS CATALOG

FIG ITEM	PART NUMBER	NOMENCLATURE	UNITS PER ASSY		
			1	2	3
01A					
-		GRT10 XM RADIO TRANSCEIVER INSTALLATION	0565	0600	RF R
1	011-01557-00	. RECEIVER-GRT10 XM REMOTE			01 R
		ATTACHING PARTS			
2	MS35206-29	. SCREW			04
		—*			
3	3930397-3	. BRACKET ASSY			01

- ITEM NOT ILLUSTRATED

CESSNA®
MODEL 208
ILLUSTRATED PARTS CATALOG

A88096



GRC10 XM WIRELESS REMOTE
FIGURE 02 (SHEET 1)

CESSNA®
MODEL 208
 ILLUSTRATED PARTS CATALOG

FIG ITEM	PART NUMBER	1 2 3 4 5 6 7	NOMENCLATURE	UNITS PER ASSY		
02						
-			GRC10 XM WIRELESS REMOTE	0565	0600	RF R
				B5000	B5400	
1	011-01558-00		. XM REMOTE CONTROL			01

- ITEM NOT ILLUSTRATED